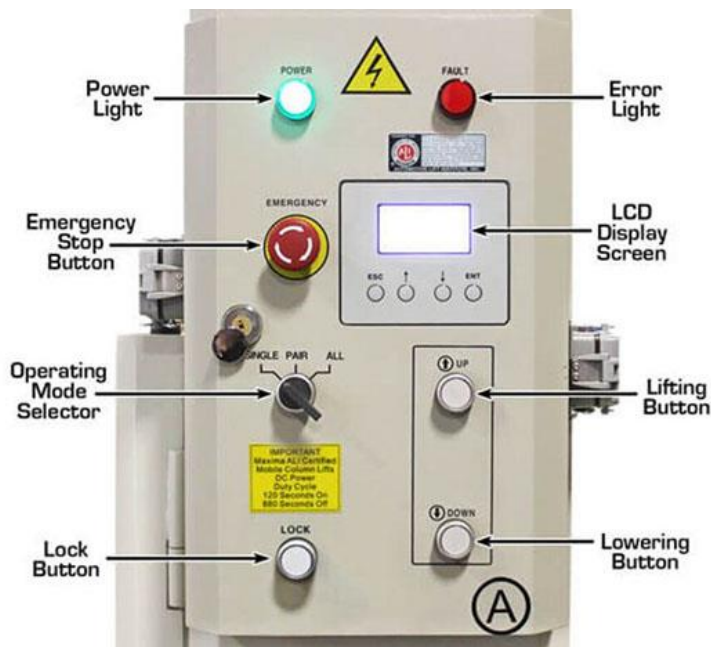


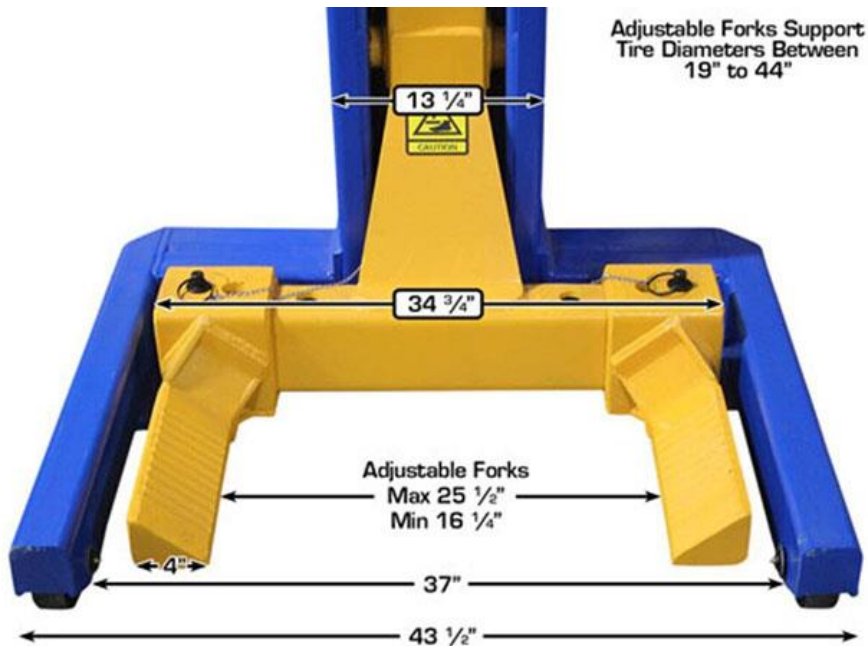
INTEREQUIP

Mobile Colum Lift Series

Model: ML4030W



INTEREQUIP



Specifications

Lifting Capacity Per Column: 16,500 LB. / 7,500 KL

Column Configuration: Single / Pair / Four

Max. Lifting Height: 67" / 170 CM

Lifting Time with Maximum Load: 95 Seconds

Lowering Time with Maximum Load: 100 Seconds

Carriage Type: Adjustable

Min Tire Diameter: 19" / 43 CM

Max Tire Diameter: 44" / 112 CM

Power Supply: Dual 12V Industrial Grade Deep Cycle Battery with 120V Battery Charging System

Power Unit: 24V DC Electric Hydraulic

Motor: 2.2 Kw 24V DC motor with two batteries per column

Shipping Weight Per Column: 1,600 LB. / 730 KL. each

Shipping Dimensions: 49"L x 47"W x 89"H / 125 x 119 x 226 cm

